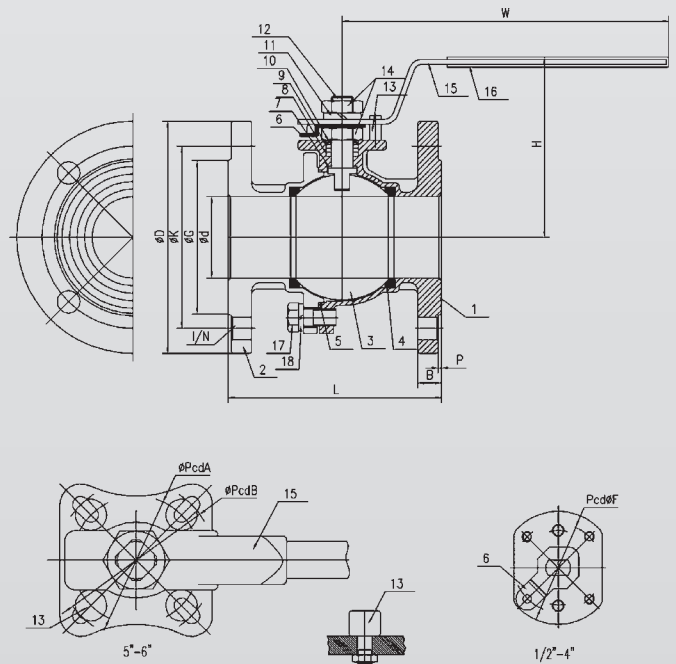


## Art.-Nr. 352F4/F5

Flansch - Kugelhahn 2-teilig  
 flanged end ball valve 2-piece  
 DN 15 - DN 50 = PN 40 Bar  
 darüber = PN 16 Bar



Nr.	Teil	Material	
1	Gehäuse außen / body	Edelstahl	stainless steel
2	Einschraubteil / cap	Edelstahl	stainless steel
3	Kugel / ball	Edelstahl	stainless steel
4	Kugelsitz / ball seat	Teflon 15%	PTFE 15%
5	Gehäusedichtung / joint gasket	Teflon	PTFE
6	Stopper / stop pin	Edelstahl	stainless steel
7	Dichtungsring / thrust washer	Teflon	PTFE
8	Spindeldichtung / stem packing	Teflon	PTFE
9	hohe Scheibe / high washer	Edelstahl	stainless steel
10	U-Scheibe / b.v.washer	Edelstahl	stainless steel
11	Unterlegscheibe / spring washer	Edelstahl	stainless steel
12	Spindel / stem	Edelstahl	stainless steel
13	Spindelmutter / stem nut	Edelstahl	stainless steel
14	Verschluss / lock device	Edelstahl	stainless steel
15	Hebel / handle	Edelstahl	stainless steel
16	Hebelschutz / plastic cover	PVC	plastic
17	Schrauben / bolt	Edelstahl	stainless steel
18	Unterlegscheibe / spring washer	Edelstahl	stainless steel



Größe	Φd	ISO 5221	L (DIN 3202)		DIN-PN 16					DIN-PN 40					H	W	Torque	
			F4	F5	ΦD	ΦK	ΦG	B	I/N	ΦD	ΦK	ΦG	B	I/N				mm
1/2"	15	4-42×M5	115	—	—	—	—	—	—	—	95	65	45	14	14/4	75	135	54
3/4"	20	4-42×M5	120	—	—	—	—	—	—	—	105	75	58	16	14/4	75	135	78
1"	25	4-50×M6	125	—	—	—	—	—	—	—	115	85	68	16	14/4	85	140	106
1 1/4"	32	4-50×M6	130	—	—	—	—	—	—	—	140	100	78	16	18/4	90	140	150
1 1/2"	38	4-70×M8	140	—	—	—	—	—	—	—	150	110	88	16	18/4	125	210	200
2"	50	4-70×M8	150	—	—	—	—	—	—	—	165	125	102	18	18/4	130	210	290
2 1/2"	65	4-70×M8	170	—	185	145	122	18	18/4	—	—	—	—	—	160	260	500	
3"	80	4-102×M10	180	—	200	160	138	20	18/8	—	—	—	—	—	170	320	770	
4"	100	4-102×M10	190	—	220	180	158	20	18/8	—	—	—	—	—	180	320	1130	
5"	125	—	—	325	250	210	188	22	22/8	—	—	—	—	—	200	470	1500	
6"	150	—	—	350	285	240	215	22	22/8	—	—	—	—	—	215	550	1800	
8"	200	—	—	400	340	295	268	22	22/16	—	—	—	—	—	320	1000	—	