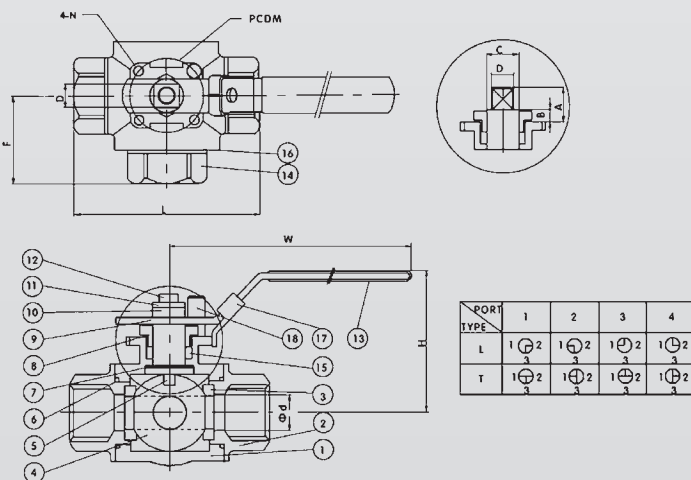


Art.-Nr. 353 L/T

3-Wege Kugelhahn reduzierter Durchgang · 3-way ball valve reduced port
PN 63 Bar



Nr.	Teil	Material	
1	Gehäuse außen / body	Edelstahl	stainless steel
2	Einschraubteil / end cap	Edelstahl	stainless steel
3	Kugelsitz / ball seat	Teflon 15%	PTFE 15%
4	Kugel / ball	Edelstahl	stainless steel
5	Spindel / stem	Edelstahl	stainless steel
6	Verschlussdichtungen / end seals	Teflon	PTFE
7	Dichtungsring / thrust washer	Teflon	PTFE
8	Buchse / gland nut	Edelstahl	stainless steel
9	Hebel / handle	Edelstahl	stainless steel
10	Hebelscheibe / handle washer	Edelstahl	stainless steel
11	Ring / washer	Edelstahl	stainless steel
12	Hebelmutter / handle nut	Edelstahl	stainless steel
13	Hebelschutz / plastic cover	PVC	plastic
14	Endkappe / end cap	Edelstahl	stainless steel
15	Spindeldichtung / stem packing	Teflon	PTFE
16	Verschlussdichtungen / end seal	Teflon	PTFE
17	Verschuß / lock device	Edelstahl	stainless steel
18	Stopper / stop pin	Edelstahl	stainless steel

Größe	Φd	L	B	D	C	A	F	W	H	M	N	Cv Factor	Torque kgf-cm
mm	mm	mm	mm	mm	mm	mm	mm	mm	mm	mm	mm		
1/4"	12,7	64	6,0	9,0	12,7	10,2	32	132	60	42	M5×0,8	68	7,8
3/8"	12,7	64	6,0	9,0	12,7	10,2	32	132	60	42	M5×0,8	68	7,8
1/2"	12,7	75	6,0	9,0	12,7	10,2	37,5	132	60	42	M5×0,8	68	9,5
3/4"	16,0	84	6,0	10,7	15,0	16,0	42	155	73	50	M6×1	105	14,0
1"	20,0	101	7,5	10,7	15,0	18,0	50,5	155	80	50	M6×1	196	26,0
1 1/4"	25,0	119	7,5	10,7	15,0	18,0	54,5	155	85	50	M6×1	266	43,0
1 1/2"	32,0	130	8,5	14,0	20,0	19,0	65	210	103	70	M8×1,25	363	70,0
2"	38,0	151	8,5	14,0	20,0	19,0	75,5	210	110	70	M8×1,25	500	102,0